

POWER YOUR FUTURE

TWIN POWER GENSETS





DOOSAN GEN-SET SPECIFICATIONS											
Genset Model	Engine Model	Controller	Genset Power				Fuel Tank Capacity* (L)	Fuel Consumption (L/H)		Oil Capacity (L)	Dimension (LxWxH)(mm)
			Standby		Prime			at %75 Load	at %100 Load		
			KVA	KW	KVA	KW					
AD 980 TWIN POWER	P158LE	ComAp IG NT	970	776	850	680	1400	130	179	42	9000 x 2551 x 2550
AD 1020 TWIN POWER	DP158LC		1020	816	920	736	1400	145	199	44	
AD 1160 TWIN POWER	DP158LD		1160	928	1050	840	1400	167	230	44	
AD 1260 TWIN POWER	DP180LA		1260	1008	1150	920	1700	188	247	68	
AD 1420 TWIN POWER	DP180LB		1420	1136	1280	1024	1700	208	273	68	
AD 1500 TWIN POWER	DP222LB		1480	1184	1350	1080	2000	218	294	80	
AD 1650 TWIN POWER	DP222LC		1650	1320	1500	1200	2000	238	322	80	

Scope of supply for Std. Genset:

- 2 Units of Engine + Alternator + Radiator + Base frame + Heater + Silencer + Battery + Battery charger
- 1 Set of Synchronization Between Two Generator Set
- 2 Units of Generator Synchronization Circuit Breakers
- 1 Units of Output Circuit Breaker after Synchronization Circuit Breakers
- 2 Sets of Panel and Required Busbar
- Special design AK 98 Canopy
- * 2 separate base frame fuel tanks with equal capacities.



Note: All images are for illustrative purposes only. Final drawings shall be supplied by the manufacturer at the time of offer.



DOOSAN GEN-SET SPECIFICATIONS											
Genset Model	Engine Model	Controller	Genset Power				Fuel Tank Capacity (L)	Fuel Consumption (L/H)		Oil Capacity (L)	Dimension (LxWxH)(mm)
			Standby		Prime			at %75 Load	at %100 Load		
			KVA	KW	KVA	KW					
AD 980 TWIN POWER	P158LE	ComAp IG NT	970	776	850	680	1400	130	179	42	12192 x 2438 x 2592
AD 1020 TWIN POWER	DP158LC		1020	816	920	736	1400	145	199	44	
AD 1160 TWIN POWER	DP158LD		1160	928	1050	840	1400	167	230	44	
AD 1260 TWIN POWER	DP180LA		1260	1008	1150	920	1700	188	247	68	
AD 1420 TWIN POWER	DP180LB		1420	1136	1280	1024	1700	208	273	68	
AD 1500 TWIN POWER	DP222LB		1480	1184	1350	1080	2000	218	294	80	
AD 1650 TWIN POWER	DP222LC		1650	1320	1500	1200	2000	238	322	80	

Scope of supply for Std. Genset:

- 2 Units of Engine + Alternator + Radiator + Base frame + Heater + Silencer + Battery + Battery charger
- 1 Set of Synchronization Between Two Generator Set
- 2 Units of Generator Synchronization Circuit Breakers
- 1 Units of Output Circuit Breaker after Synchronization Circuit Breakers
- 2 Sets of Panel and Required Busbar
- 40ft Container
- * 2 separate base frame fuel tanks with equal capacities.



Note: All images are for illustrative purposes only. Final drawings shall be supplied by the manufacturer at the time of offer.

ADVANTAGES

GENERAL

- 970-1650 KVA ESP Power Range
- 2 Generators Instead of 1, Double the BackUp
- Up to 40% Savings on Total Cost of Ownership*
- Reduced Total Operational Cost***
- Power Source Continuity During Mandatory Maintenance
- 24/7 Energy Source Availability in Back-to-Back Mode
- Redundant Energy Source in Back-to-Back Operation Mode

**Up to 40% Savings
on Total Cost
of Ownership***



**2 Generators Instead of 1,
Double the BackUp**



MODULE

- Two Operation Modes: Parallel and Back-to-Back
- Centralized Control and Monitoring
- Ability to Add More Generators to Work in Parallel



**Two Operation Modes:
Parallel and Back-to-Back**



SAVINGS

- Fuel Savings and Less CO2 Emissions on Variable Load Applications
- Extended Generator Life Cycle, Due to Back-to-Back Operation Mode
- Extended Service Times, Due to Back-to-Back Operation Mode
- Up to 70% Less Engine Oil Requirement*
- At Variable Loads Prevent Oil Consumption Due to Light Load Operation

CONTAINER

- Solid Containerized Solution for Demanding Job Sites
- Solid Containerized Solution Enables Easy Logistics and Mobilization
- Easy Sea Freight Due to Optional ISO Certification**

* Compared to generators produced with EU made engines (in Standby applications or Back-to-Back mode).

** Container ISO certification is optional.

*** in Back-to-Back mode or Standby applications.

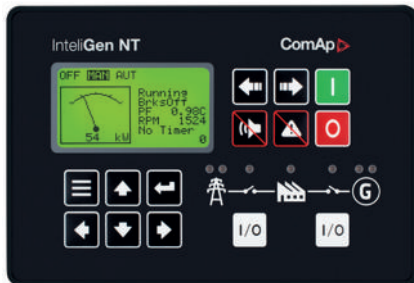
Manufacturer reserves the right to make change in the model, technical specifications, color, equipment, accessories and images without prior notice.

All images are for illustrative purposes only. Final drawings shall be supplied by the manufacturer at the time of offer.



CONTROL PANEL

ComAp IntelliGen NT



DESCRIPTION

IntelliGen® is a comprehensive AMF controller for single and multiple generating sets operating in standby or parallel modes. A modular construction allows upgrades to different levels of complexity in order to provide best solutions for various customer applications. Optional built-in synchroniser and isochronous load sharer allow total integrated solution for gen-sets in standby and parallel modes with multiple (up to 32) engine support. IntelliGen® controller is equipped with a powerful graphic display. Icons, symbols and bar graphs for intuitive operation together with high functionality set new standards in gen-set control. Special low temperature (IG-CU-LT 12 VDC or IG-CU-LT 24 VDC) version is also available, allowing the display to work up to -300C. ComAp is open to various customized software solutions.

GENERAL FEATURES

- Support of engines equipped with Electronic Control Unit (J1939 interface)
- AMF function
- Display 128x64 pixels
- Generator measurement: U, I, Hz, kW, kVA, PF, kWh, kVAhr
- Mains measurement: U, I, Hz, kW, kVA, PF (1 phase current only)
- Inputs and outputs configurable for various customer needs
- RS232 interface with ModBus protocol support; Analog/GSM/ISDN modem communication support; SMS sending on gen-set failure
- Event based history file (~ 120 records), RTC, statistics
- Dimensions 180x120 mm (front panel)
- Sealed to IP65

BENEFITS

- Support of engines with J1939 interface
- Complete integrated gen-set solution - less wiring and components
- Many types of communication - easy supervision and servicing
- Upgradable to fit exactly any customer needs
- Perfect price/performance ratio

STANDARD SPECIFICATIONS

Power Control (IG-PCM):

For single gen-set in parallel with mains

- Automatic synchronising and power control
- Peak shaving
- Interrupt free reverse synchronising
- Voltage and PF control (AVR)
- Baseload, Import/Export

Load Sharing (IG-PCLSM):

For multiple isolated parallel operation

- Automatic synchronising and power control
- Voltage and PF control (AVR)
- Active Load Sharing

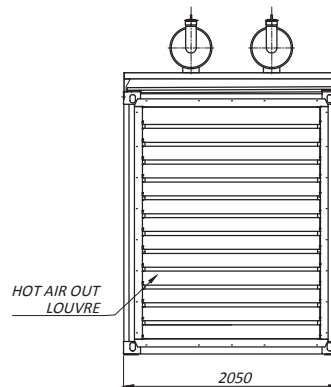
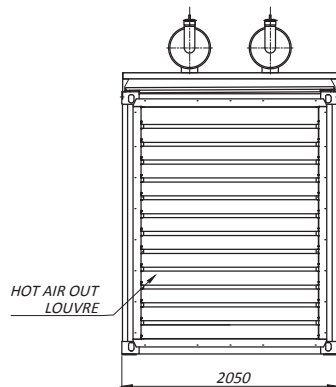
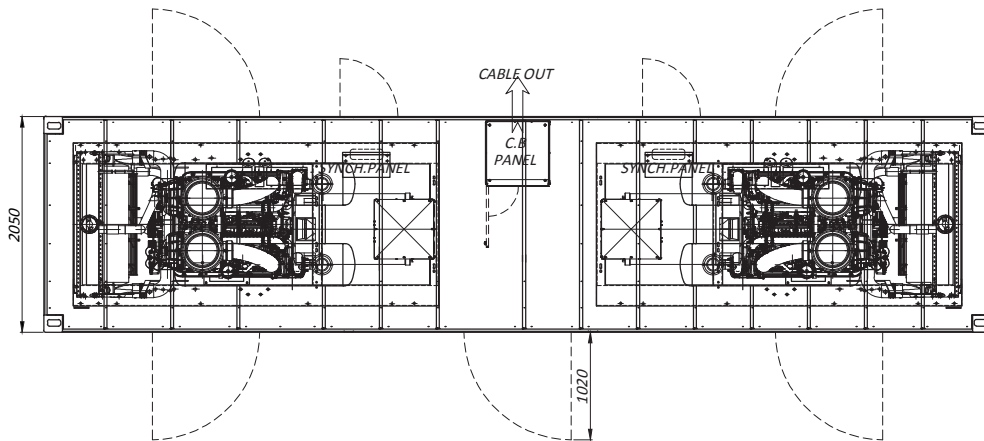
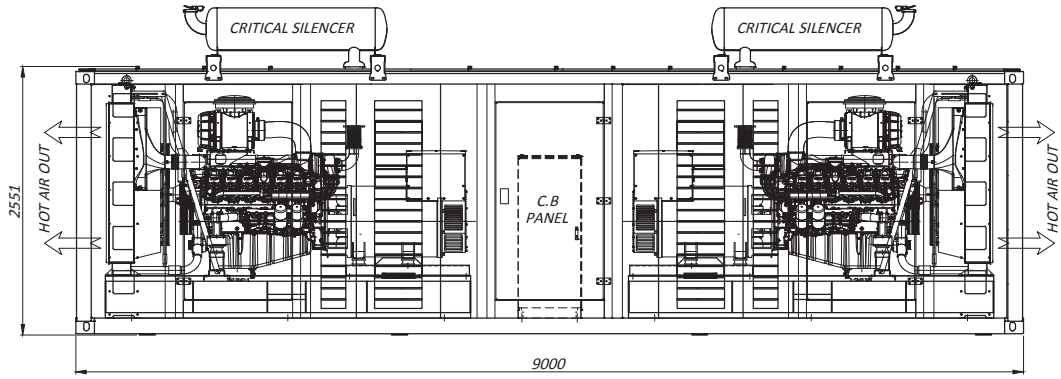
Load Sharing & Power Management

(IG-PCLSM + IG-COM):

For multiple isolated parallel operation or multiple engines parallel with mains

- Automatic synchronising and power control
- Voltage and PF control (AVR)
- Active Load Sharing
- VAr Sharing (via CAN bus)
- Optimizing number of running engines: Power Management (via CAN bus); kW or % load based
- Monitoring and control of multiple gen-sets via MultiEdit

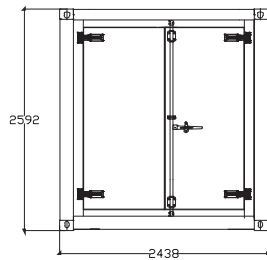
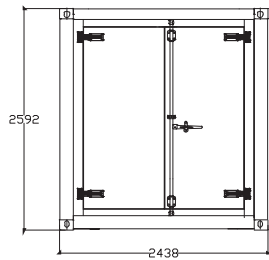
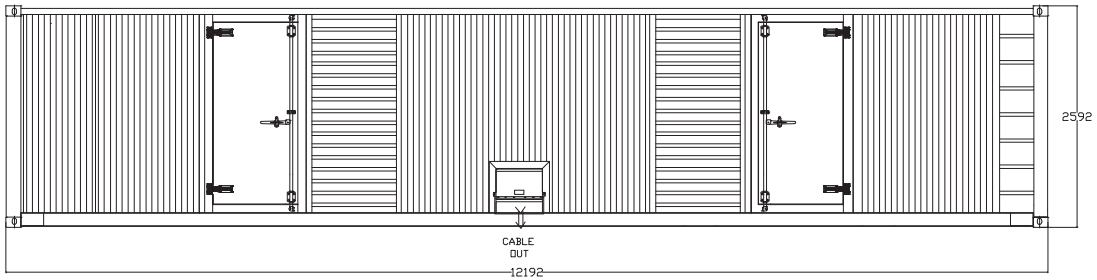
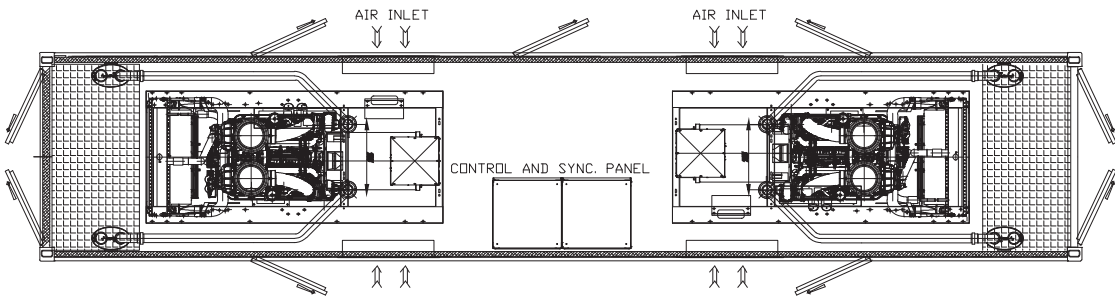
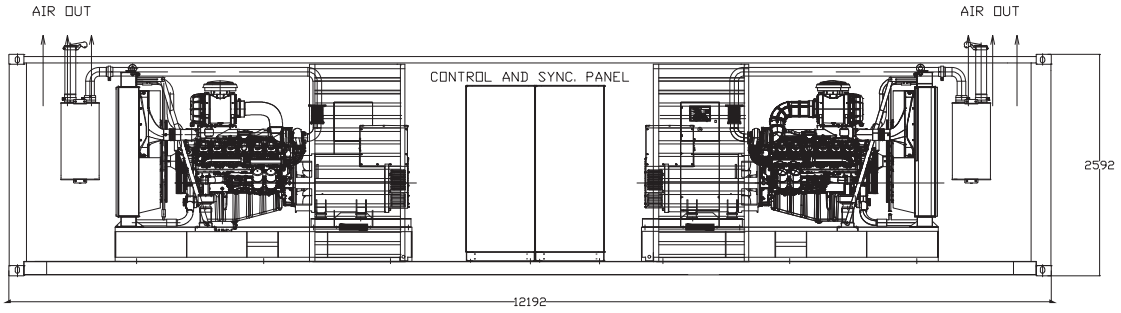
TECHNICAL DRAWING - CANOPY



Manufacturer reserves the right to make change in the model, technical specifications, color, equipment, accessories and images without prior notice.

All images are for illustrative purposes only. Final drawings shall be supplied by the manufacturer at the time of offer.

TECHNICAL DRAWING - CONTAINER



Manufacturer reserves the right to make change in the model, technical specifications, color, equipment, accessories and images without prior notice.
 All images are for illustrative purposes only. Final drawings shall be supplied by the manufacturer at the time of offer.

aksa POWER
GENERATION

HEAD OFFICE

Aksa Jeneratör Sanayi A.Ş.
Rüzgarlıbahçe Mh. Özalp Çıkması No:10 34805,
Kavacık / Beykoz - İSTANBUL / TURKEY

Tel : + 90 216 681 00 00

Faks : + 90 216 681 57 81

E-mail : aksa@aksa.com.tr

www.aksa.com.tr